

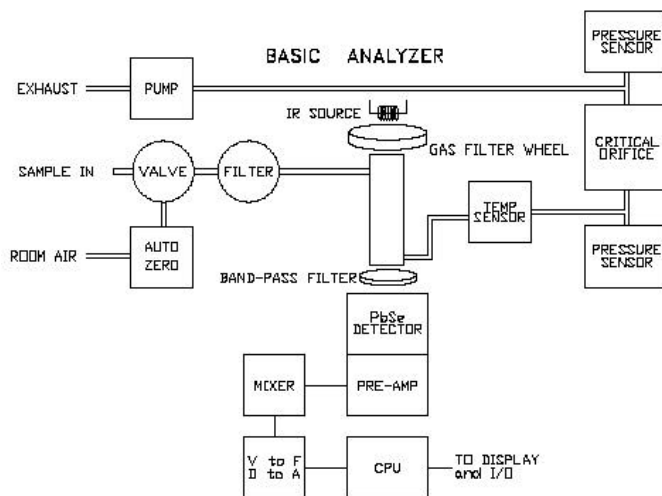


Model 300H Gas Filter Correlation High Concentration CO Analyzer

The Model 300H measures high concentrations (up to 20,000 ppm) of CO with excellent accuracy and stability, due to the Gas Filter Correlation principle employed. The sample's concentration is determined by measuring how much infrared light the gas absorbs as it flows through a single pass sample cell. The light is first coupled through a filter wheel that contains an inert gas in one chamber and a reference concentration of CO in a second chamber. Finally, after passing through the sample cell the light is detected by an optically-filtered, cooled PbSe detector. As the filter wheel revolves the energy loss through the sample cell is compared with the span reference signal provided by the gas filter to produce a signal proportional to sample concentration, with little effect from interfering gases within the sample. This design produces excellent zero and span stability, a high signal to noise ratio and high sensitivity and low interferences. An auto-zero function further minimizes zero drift. Multi-tasking software gives real time indication of numerous operating parameters and provides automatic alarms if diagnostic limits are exceeded. Built-in data acquisition and internal memory allows logging multiple parameters including average and instantaneous values, calibration data and operating parameters. Up to 8000 records of stored data can be retrieved via the RS-232 port or from the front panel. The Model 300H features rugged construction and is designed to perform with a minimum of attention. In the event maintenance is required, modular construction makes service a simple operation.

- 0-100 to 0-20,000 ppm, user selectable
- Gas Filter Wheel for CO specific measurement
- GFC wheel guaranteed against leaks for 5 years
- Multi-tasking software allows viewing test variables while operating
- Continuous self checking with warning alarms
- Digital status outputs provide instrument condition
- Bidirectional RS-232 for remote operation
- Adaptive signal filtering optimizes response time
- Auto-zero function to minimize zero drift
- No mirrors to clean, adjust

M300H Schematic



Model 300H

Gas Filter Correlation High Concentration CO Analyzer

Specifications

Ranges:	0-100 to 0-20,000 ppm CO full scale, user selectable Dual ranges and autoranging
Units:	ppm, mg/m ³
Zero Noise:	<1 ppm (RMS)
Span Noise:	<2% of reading or 1 ppm RMS
Lower Detectable Limit (LDL):	<2 ppm
Zero Drift (24 hours):	2 ppm
Zero Drift (7 days):	4 ppm
Span Drift (7 days):	*1% reading
Rise and Fall Time:	<10 seconds to 95%
Linearity:	1% FS (0-10000 ppm) 2% FS (+10000 ppm)
Precision:	0.5% of reading or accuracy @ STP
Sample Flow Rate:	800cc/min ±10%
Operating Temperature Range:	5 – 40°C
Dimensions (HxWxD):	7" (178 mm) x 17" (432 mm) x 25" (635 mm)
Weight:	50 lbs. (22.7 kg)
Power:	100V 50/60 Hz, 115V 60Hz, 220V 50/60 Hz, 230V 50Hz, 240V 50Hz, 250 Watts
Approvals:	CE
Analog Outputs:	Bi-Polar, 10V, 5V, 1V, 100 mV, selectable
Recorder Offset:	±10%
RS-232:	Bi-directional
Status (Digital):	9 outputs from optoisolator, included with standard configuration
Alarm Output:	Hi, HiHi, Status
Current Output:	0-20mA or 4-20mA isolated output, optional

** constant temperature and pressure*

How To Order

Model 300H High Concentration CO Gas Filter Correlation Analyzer

Includes:

- Selectable Voltage (specify below)
- Internal pump
- 9 isolated digital status outputs
- Bi-directional RS-232
- 3 optoisolated alarm outputs

Specify voltage/frequency:

- | | |
|---|------------------------------------|
| <input type="checkbox"/> 100V/50hz | <input type="checkbox"/> 100V/60hz |
| <input type="checkbox"/> 220V/50hz | <input type="checkbox"/> 115V/60hz |
| <input type="checkbox"/> 230V/50hz (CE) | <input type="checkbox"/> 220V/60hz |
| <input type="checkbox"/> 240V/50hz | |

Specify output voltage:

- 10V 5V 1V 100mV

Particulate filter:

- 47mm

Options:

- Rack Mount (19") with chassis slides
 - Rack Mount only
 - Isolated 0-20mA or 4-20mA output
 - Multi-drop RS-232 connection
- Calibration Valves
- Stainless Steel Valves for selection of customer-supplied zero and span gas

Accessories:

- RS-232 Cable
- Expendables Kit
- Spare Parts Kit

API

ADVANCED POLLUTION INSTRUMENTATION, INC.

6565 NANCY RIDGE DRIVE, SAN DIEGO, CA 92121

PHONE: (858)657-9800 FAX: (858)657-9816

E-mail: sales@advpol.com